

Installation Manual

Solar Balcony Bracket
YL-BAL-5



www.yanglinxm.com

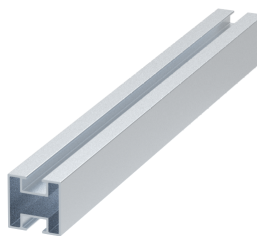
Components List:

Hook



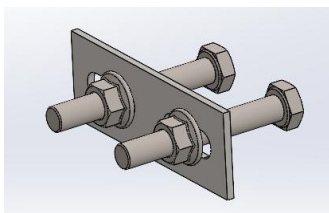
x2

Rail



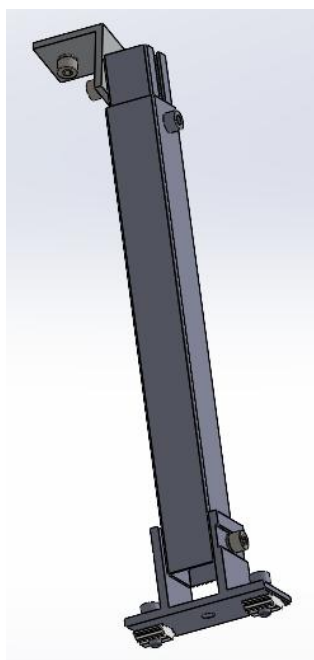
x2

Fixed plate



x4

Aluminum bracket



x2

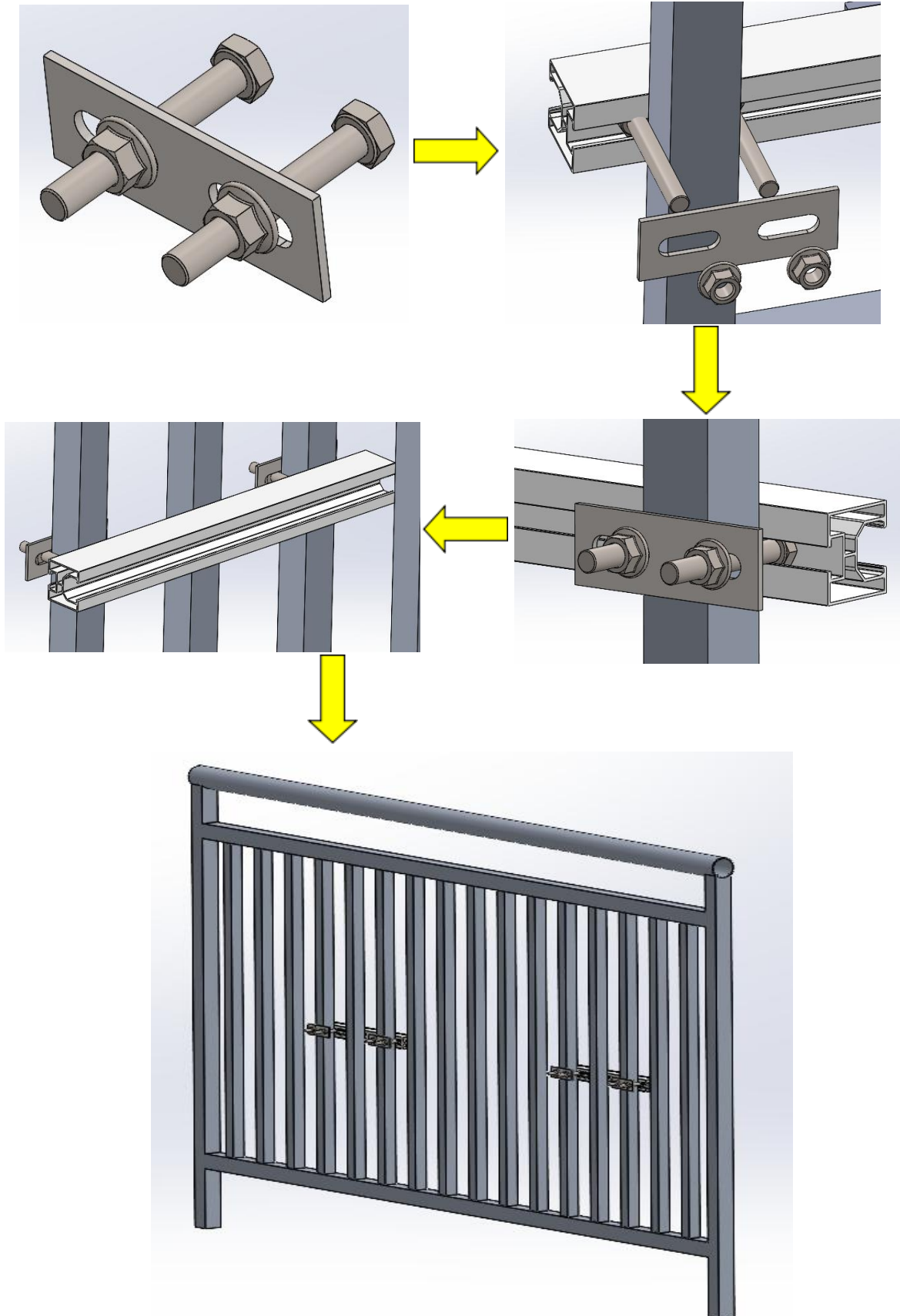
EPDM pad



x2

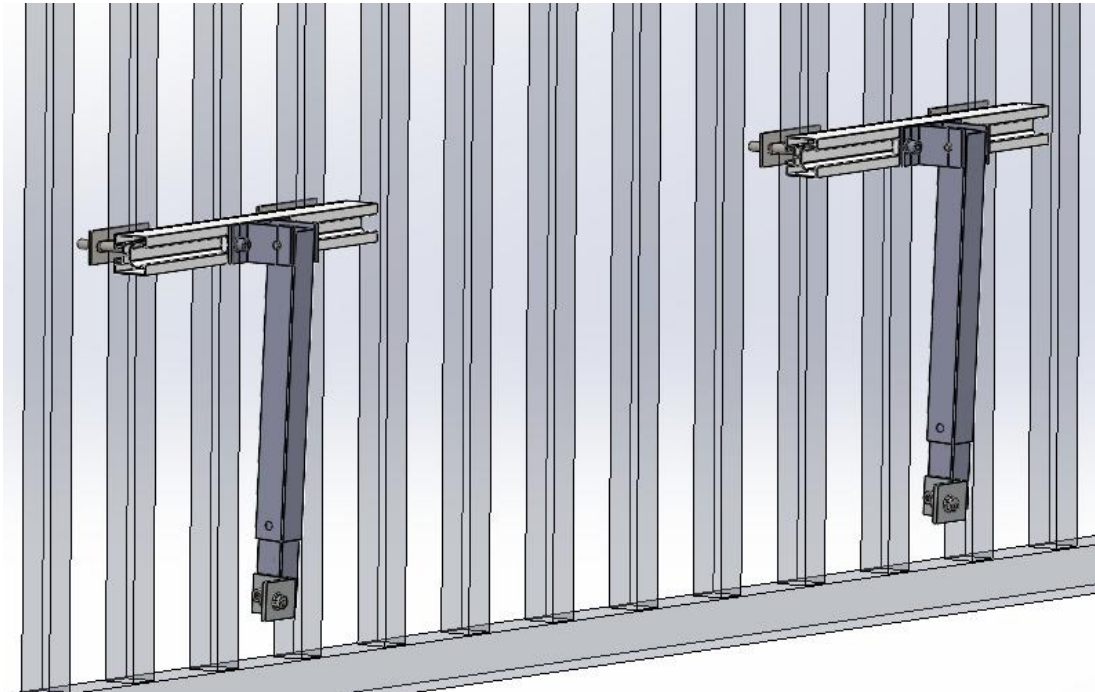
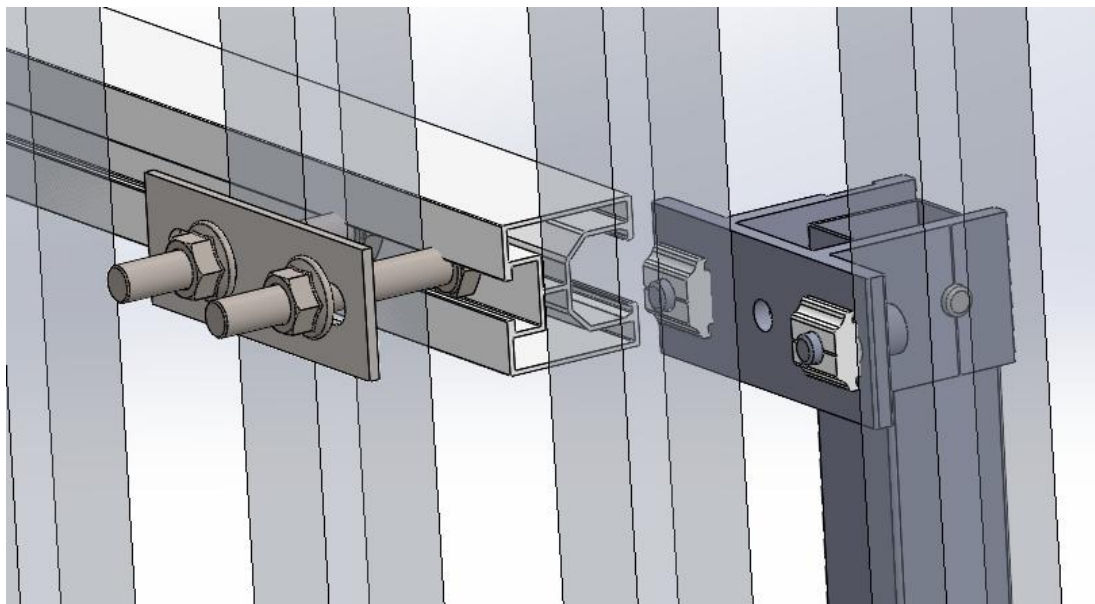
Installation Steps:

Step1. Slide the bolt head into the groove of the cross bar first, and then tighten the flange nut.



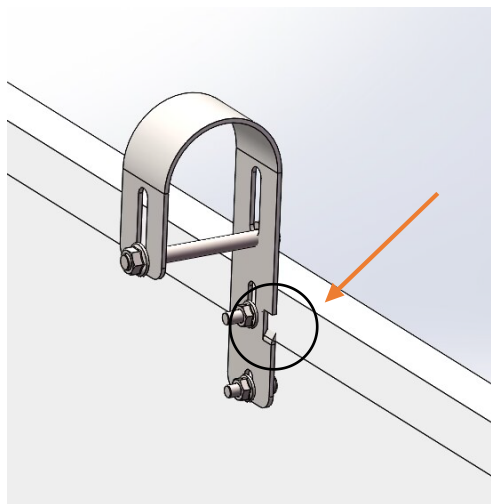
Installation Steps:

Step2. Align the T-shaped block on the base with the opening slot of the beam and slide it into lock.

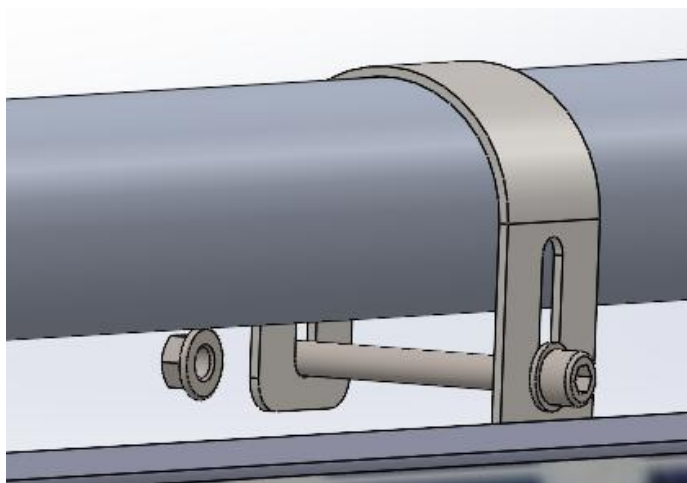


Installation Steps:

Step3. Connect the hook with solar panel.



Step4. Fix the hook on the fence.



Step5. Fixed bottom adjustable feet with solar panel

