

Horizontal Wind Turbine Catalogue

Model: 1KW Horizontal axis wind turbine On-grid | Off-grid system

Overview

GREEF GH-1KW wind generator is the conversion of wind energy into mechanical energy first and electric energy afterwards. This equipment can fully make use of wind power to recharge a battery, and also can saved energy into ac source alternating current. Without the necessity of fuel, the GH-1KW wind generator is pollution free and far away from noise. The GH-1KW wind generator is generally applicable to the area which has good condition but is far away from the power grid, or the power grid is not normal. The GH-1KW generator can supply lighting, the television set, the searchlight, the communication equipment, the power tool and other household appliances.

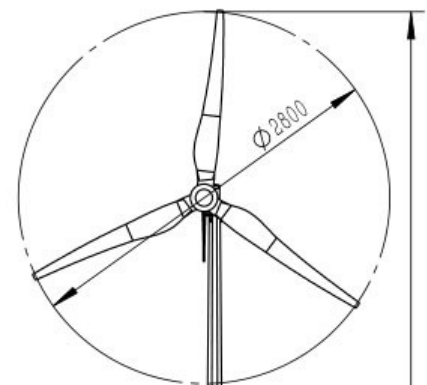
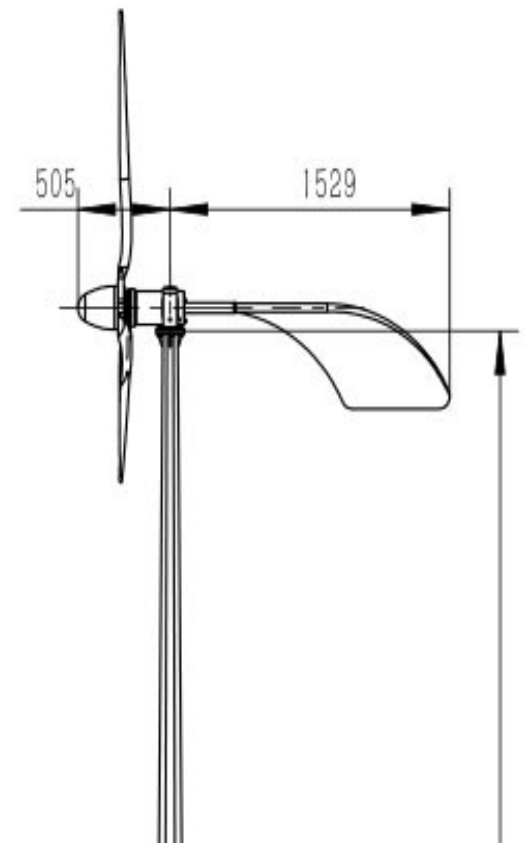


Recommended for:

- Household,Garden,Farm,Urban ,Rooftop
- Telecom sites.
- Rural electrification programs. Island , sentry, island, sight lighting
- Automatic speed reduction protection

Technical specification

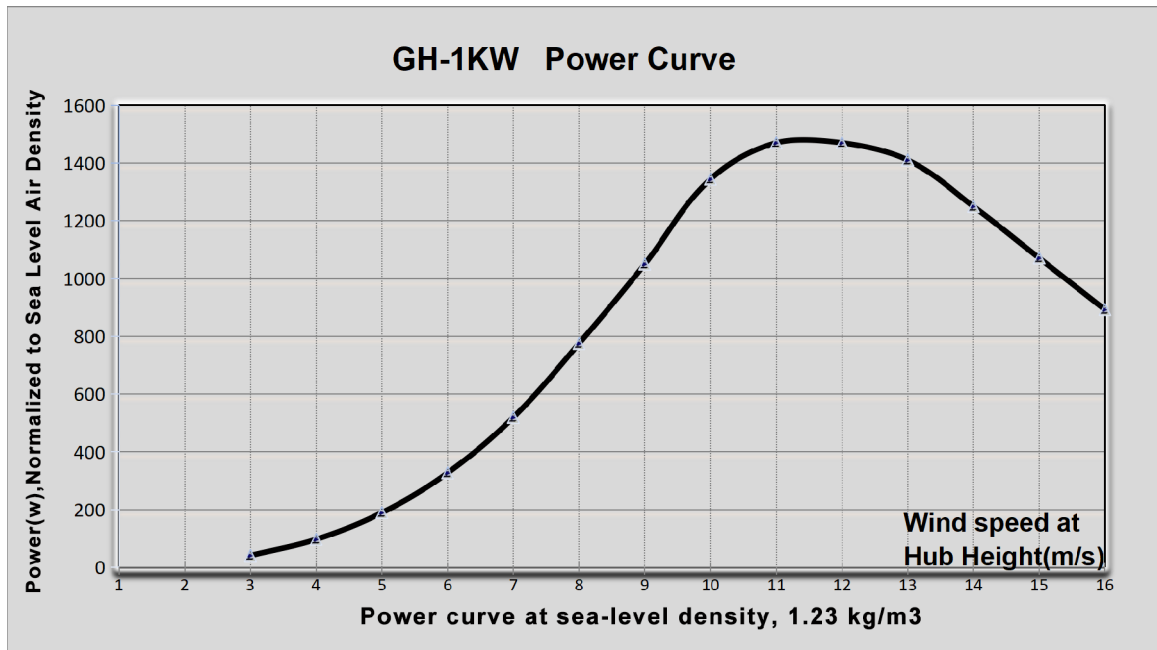
Model	GH-1KW
Performance	
Rated Power	1000W
Start Wind Speed	3m/s(6.72mph)
Rated Wind Speed	9m/s(20.1mph)
Working Wind Speed	4-25m/s(8.96-56 mph)
Safety Wind Speed	50m/s(112mph)
Physical Parameters	
Blades Rotor Diameter	2.8M(9.2ft)
Blades Material &Quantity	FRP /3PCS
Top Weight	46kg
Tower Height	6m(19.68ft.) Free Stand Tower



Generator Parameters

Generator Type	Permanent Magnet Generator
Rated Speed	360RPM
Option Voltage	24-220VAC
Protection Method	Automatic Yawing Protection Electromagnetic Brake +PWM
Protection Grade	IP54
Working Temperature	-40-50℃

Power Curve

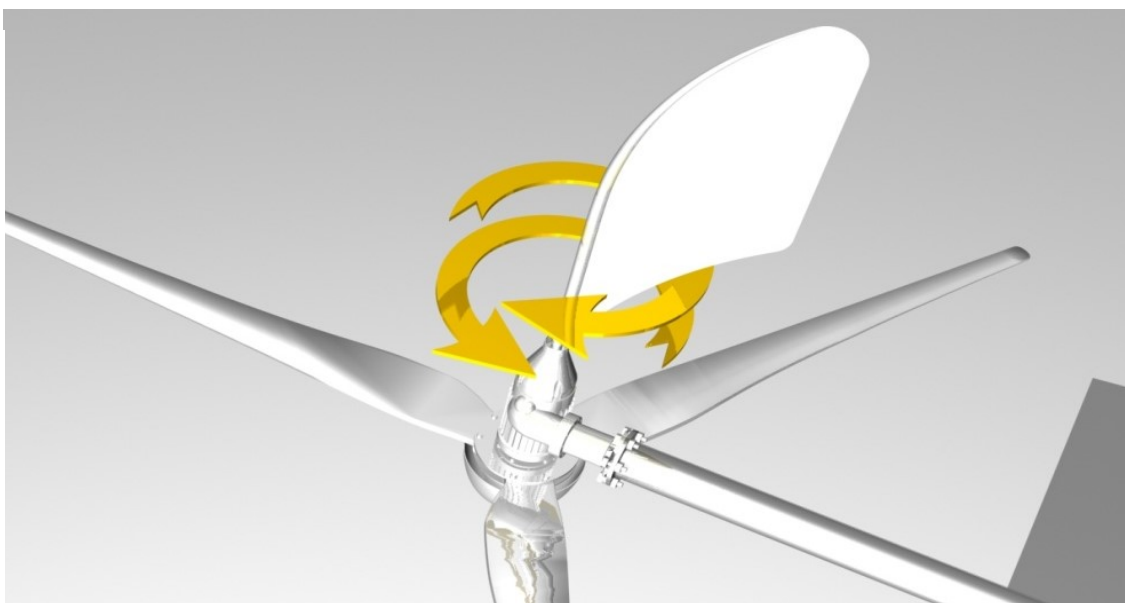


Annual Energy Production

This data will have $\pm 10\%$ difference according to real condition.

Model	Annual Wind Speed (m/s)	3	4	5	6	7
GH-1KW	Production (kWH)	322	764	1492	2578	4094

Automatic Speed Reduction Protection









Pictures

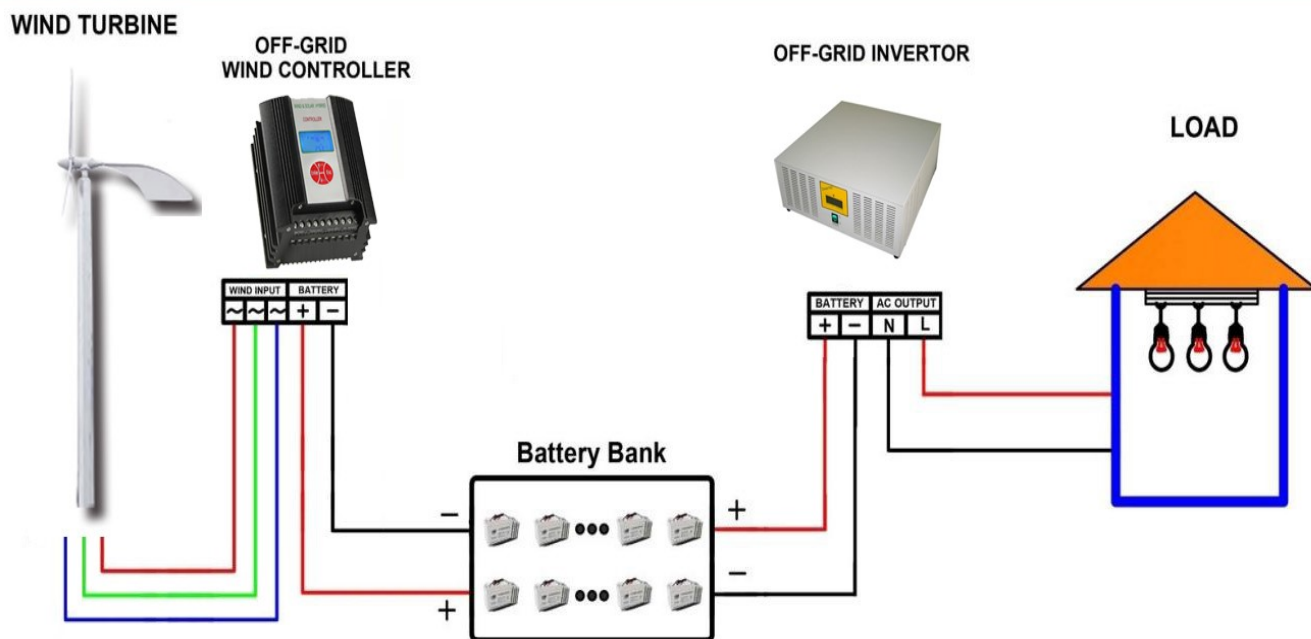


Optional Tower Type

 <p>Free Stand Tower</p>	 <p>Free Folding Tower</p>	 <p>Hydraulic Tower</p>	 <p>Guy Wire Tower</p>
<p>Cost : Middle Package size:Middle Installation need crane, Small floor space</p>	<p>Cost :Second high Package size:Small Installation very easy no need crane, need small area</p>	<p>Cost : Highest Package size:Bigger Installation easy no need crane, need small area</p>	<p>Cost : Lowest Package size:Smallest Installation need biggest area</p>

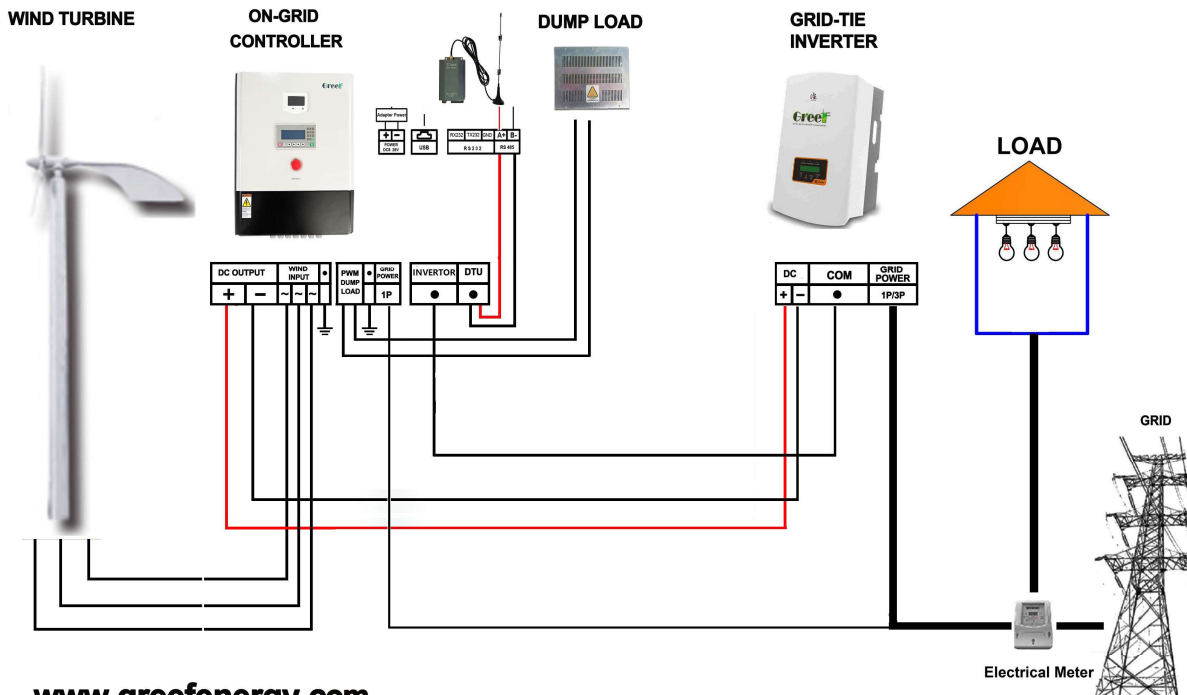
System Solution Diagram

OFF-GRID WIND POWER GENERATOR SYSTEM





GREEF GRID TIED SYSTEM WIRING DIAGRAM

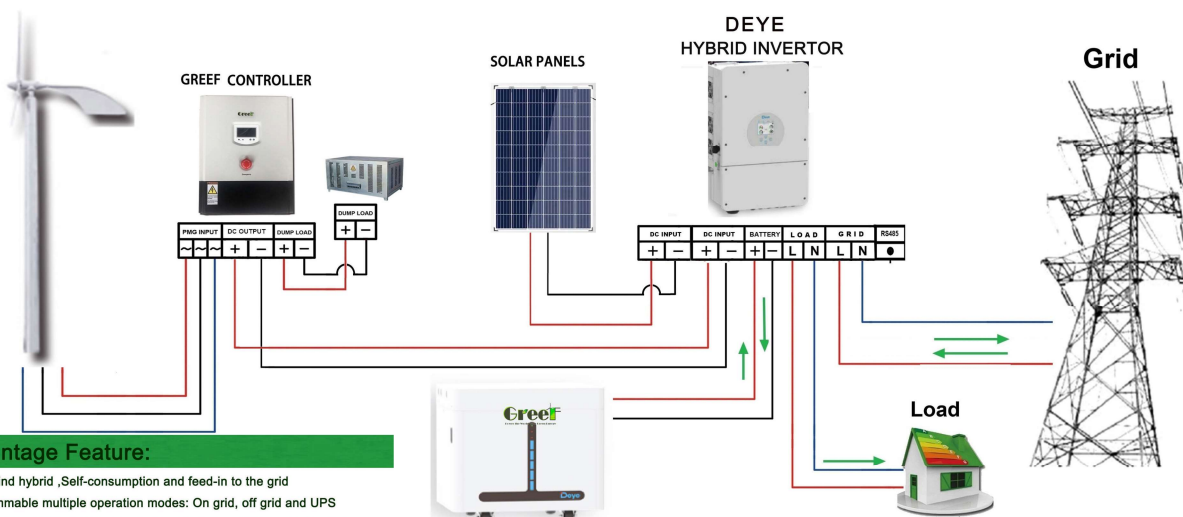


www.greefenergy.com



HYBRID SYSTEM SOLUTION

GREEF WIND TURBINE



Advantage Feature:

- ◆ Solar wind hybrid ,Self-consumption and feed-in to the grid
- ◆ Programmable multiple operation modes: On grid, off grid and UPS
- ◆ Configurable AC/Solar/Wind Generator Charger priority by LCD setting
- ◆ Compatible with Grid or generator power
- ◆ With limit function, prevent excess power overflow to the grid
- ◆ Smart settable three stages MPPT charging for optimized battery performance
- ◆ Time of use & Smart Load function

48V BATTERY BANK

GREEF NEW ENERGY

www.greefenergy.com